

# EASI PLAN

## Installation Instructions

### Double Fitting Plate 1/2" Ref: 700530

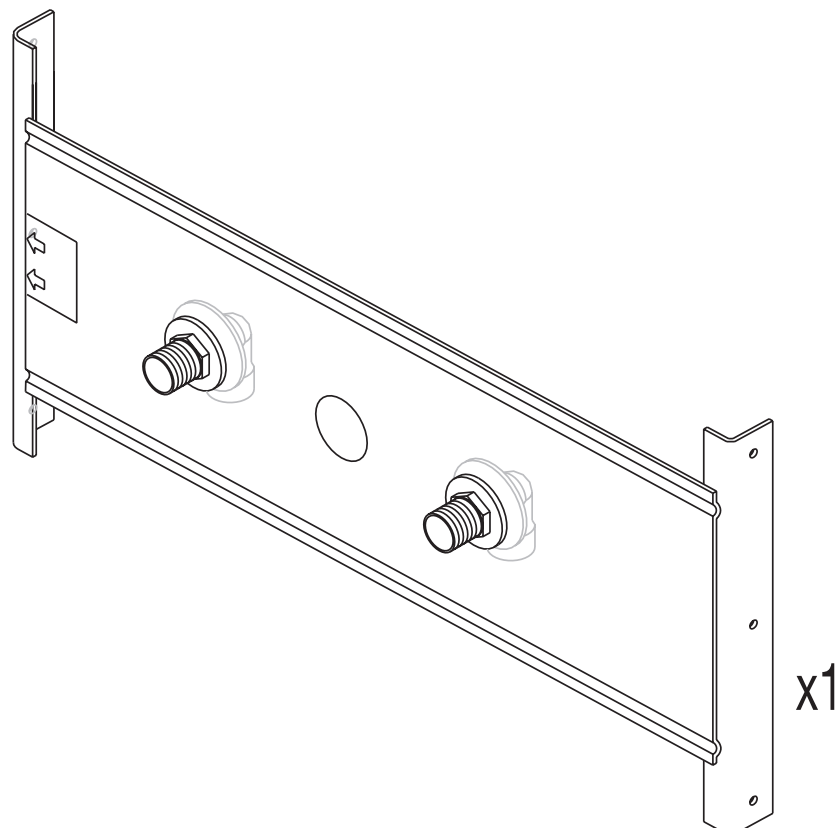
FOR INSTALLATION OF:

- WALL MOUNTED BATH TAPS
- SURFACE SHOWER VALVES

---

## pre-wall installation

### CHECKLIST OF PARTS

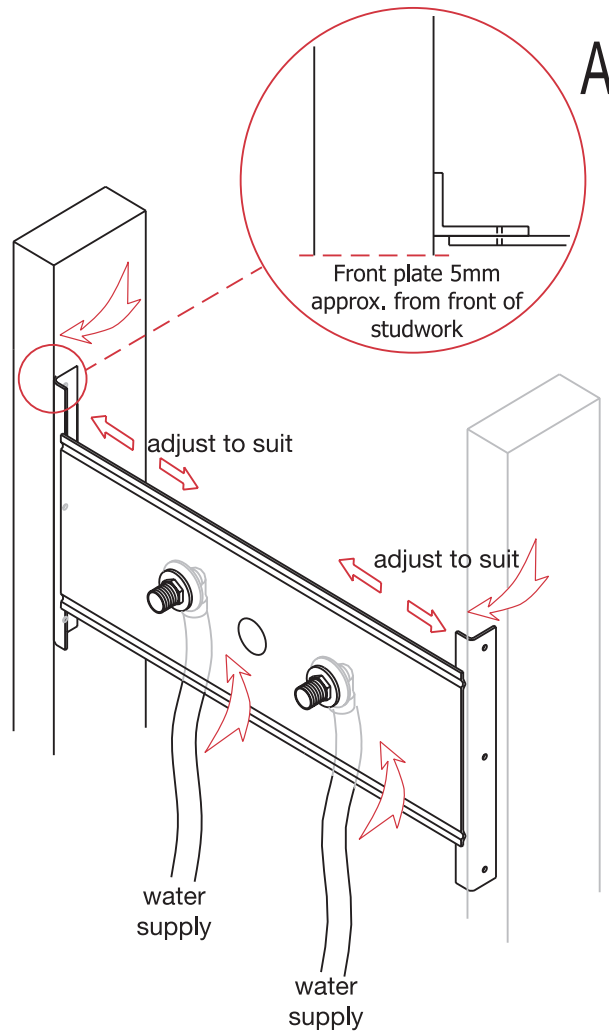


**Note: 340 – 400mm Adjustment**

1x adjustable fitting plate with 2x pre fitted brass elbow & washer, and  
2x plastic debris stopper

Sales and Customer Helpline:  
0845 8 50 50 40

# Fitting Instructions



- 1 Firstly adjust the frame width to suit your timber or metal studwork, then simply secure the frame to the studwork via the two holes provided on either side.

**Note: Please ensure the front plate of the frame is installed in accordance with the detail shown in Fig A.**

- 2 Connect your water pipes to the 1/2" female connectors at the rear of the plate. The frame is now ready for plasterboarding & tiling.
- 3 Following tiling, remove the plastic debris stoppers and fit your appliance as required.