

EASI PLAN

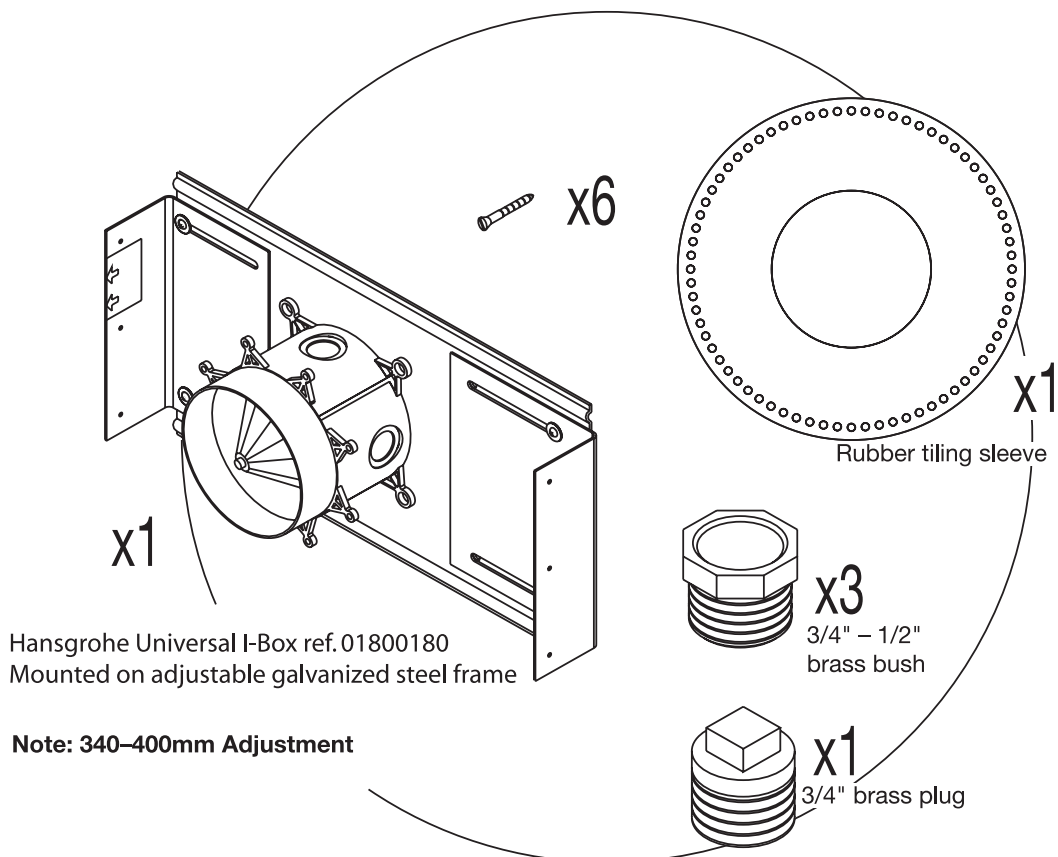
Installation Instructions

I-Box Fitting Plate Ref: 700500

FOR INSTALLATION OF: ■ HANSGROHE VALVES

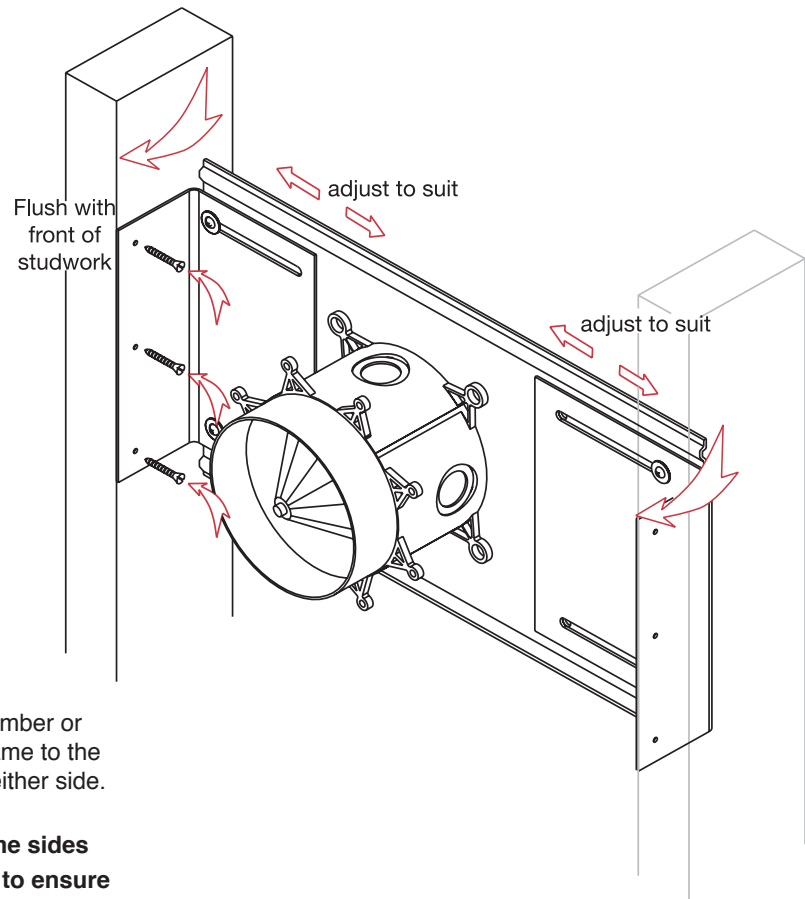
pre-wall installation

CHECKLIST OF PARTS



Sales and Customer Helpline:
0845 8 50 50 40

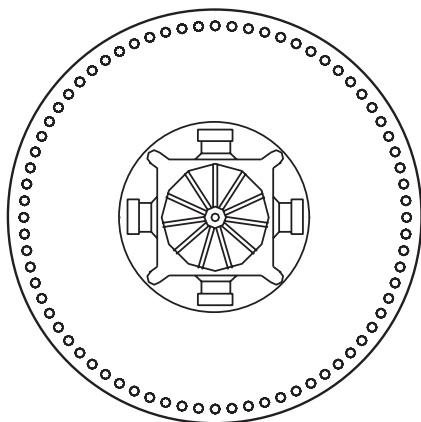
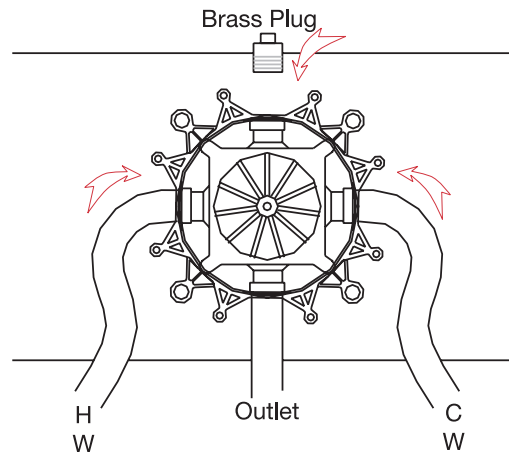
I-Box Frame Fitting



- 1 Firstly adjust the frame width to suit your timber or metal studwork, then simply secure the frame to the studwork via the three holes provided on either side.

Note: As shown, please ensure the frame sides are flush with the front of the studwork to ensure the correct depth of the I-Box

- 2 Use the 3/4" brass plug to blank either top or bottom outlet if not required. Use the brass reducing bushes for other outlets if 1/2" pipe is to be used. Connect hot & cold water supplies as shown.



- 3 After plasterboarding and prior to tiling, fit the rubber sleeve over the I-Box as shown to protect against water ingress.

• The Valve is now ready for tiling & 2nd fixing •