

EASI PLAN

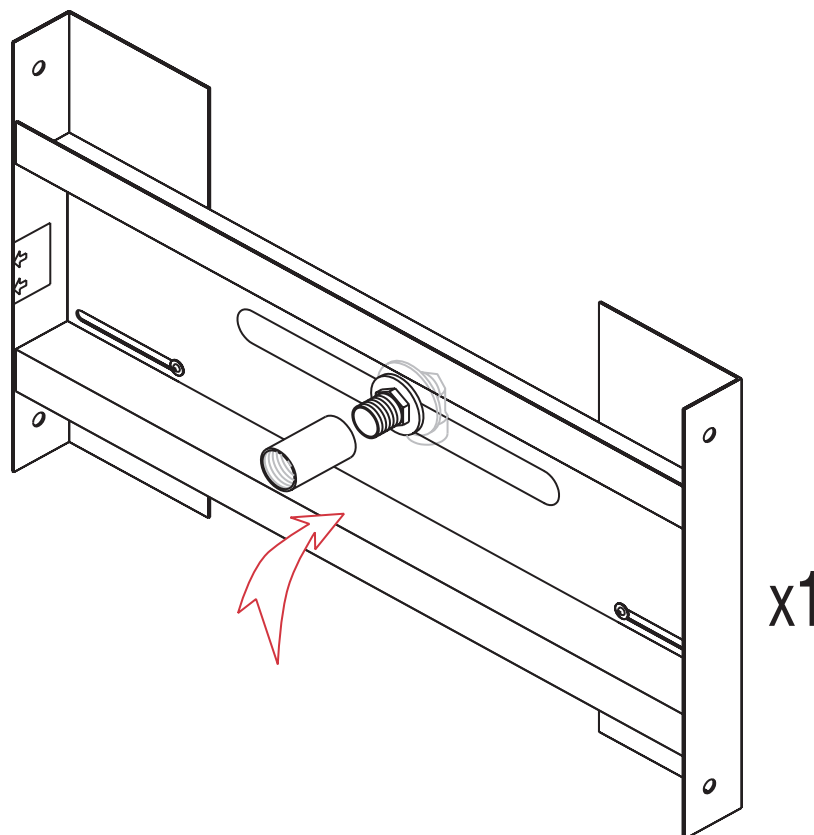
Installation Instructions

Recessed Single Fitting Plate 3/4" Ref: 700510

FOR INSTALLATION OF: ■ BATH SPOUTS

pre-wall installation

CHECKLIST OF PARTS

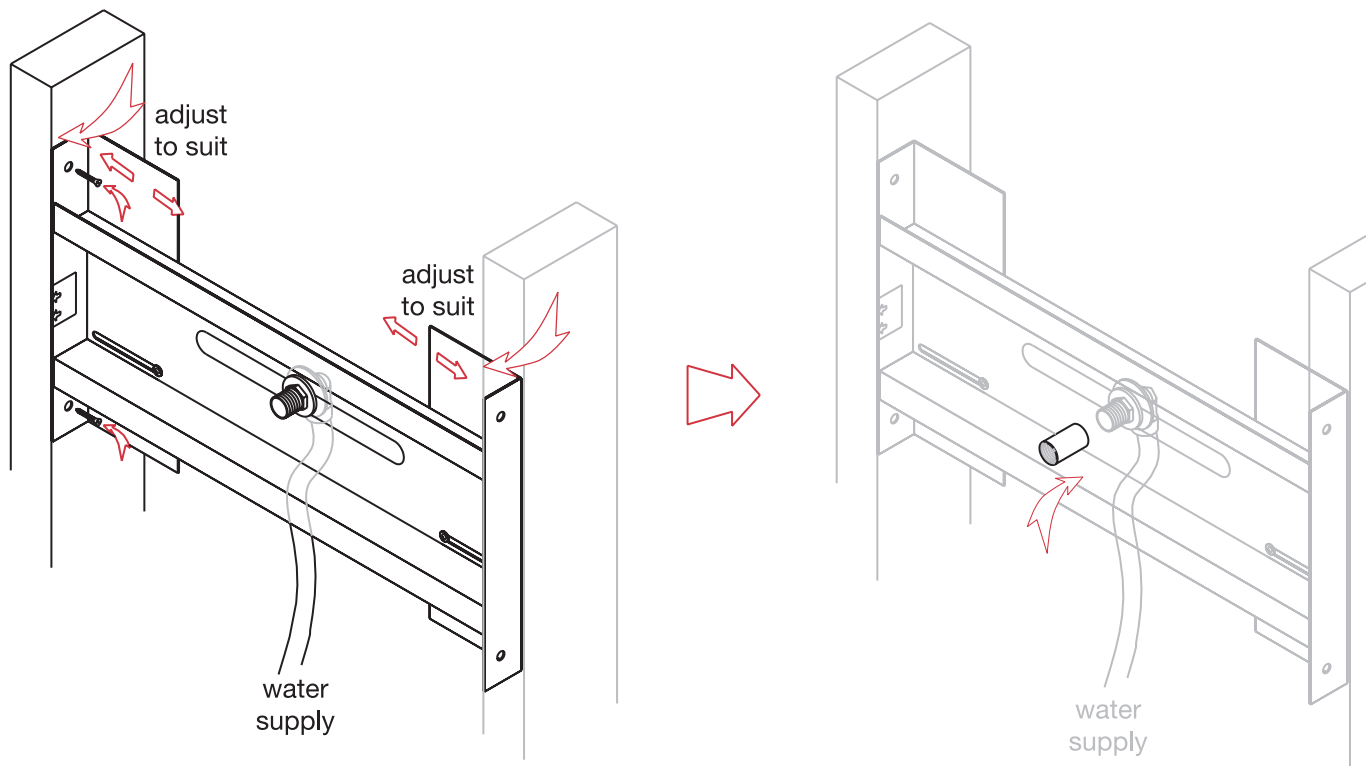


Note: 340 – 400mm Adjustment

1x adjustable recessed fitting plate with 1x pre fitted brass elbow & washer,
1x 3/4" female brass socket (see reverse for fitting instructions) and
1x plastic debris stopper

Sales and Customer Helpline:
0845 8 50 50 40

Fitting Instructions



- 1 Firstly adjust the frame width to suit your timber or metal studwork, then simply secure the frame to the studwork via the two holes provided on either side.

Note: Please ensure the front plate of the frame is flush with the front of the studwork

- 2 The brass elbow can be loosened and slid along the plate in order to centralize it in relation to the sanitaryware if required.
- 3 Fit the 3/4" female brass socket on to the brass elbow to make a water tight joint with PTFE tape
- 4 Connect your water pipe to the 1/2" female connector at the rear of the plate. The frame is now ready for plasterboarding & tiling.
- 5 Following tiling, remove the plastic debris stopper and fit your appliance as required.

• **NOTE: If required you can slide the elbow along the fitting plate. However, you must remember to secure the elbow at the rear** •